


# PRODUCT SHEET

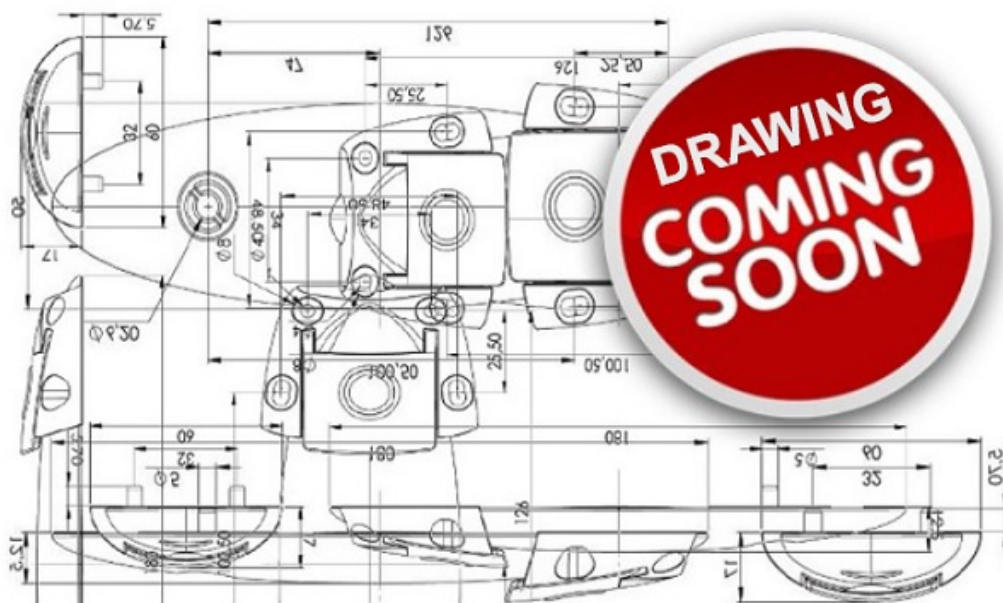
## Description:

Shelf Support  $\varnothing 17 \times 24 \text{ mm}$ , CPL, W/Pin  $\varnothing 5 \times 9 \text{ mm}$ , F/4-6mm Glass

## Item number:

22.02.225-0

Units	Box	Carton	HS Code	Barcode
Pcs.	150	300	8302420090	 5704866079037



## SISO A/S

Mileparken 11  
DK-2740 Skovlunde  
Denmark  
VAT: DK 24786013

Phone +45 45 830 900

[www.siso.dk](http://www.siso.dk)  
[siso@siso.dk](mailto:siso@siso.dk)

Danske Bank  
Nytorv Branch  
Copenhagen  
SWIFT: DABADKKK

Account no.  
4180 3112 112936  
IBAN Account  
DK7230003112112936